

AF116 ... AF140 4-pole contactors

160 to 200 A AC-1

AC / DC operated



AF140-40-00

1SFC101198V0001



AF140-40-00B

1SFC101198V0001

5

Description

AF116 ... AF140 4-pole contactors are mainly used for controlling non-inductive or slightly inductive loads (i.e. resistance furnaces...) and generally for controlling power circuits up to 690 V AC. These contactors are of the block type design with 4 main poles.

- control circuit: AC or DC operated with electronic coil interface accepting a wide control voltage range (e.g. 100...250 V AC and DC), only 4 coils to cover control voltages between 24...500 V 50/60 Hz and 20...500 V DC
- can manage large control voltage variations
- reduced panel energy consumption
- very distinct closing and opening
- can withstand short voltage dips and voltage sags (SEMI F47 conditions of use on request).
- built-in surge suppression
- add-on auxiliary contact blocks for side mounting and a wide range of accessories.

Ordering details

IEC	UL / CSA	Rated operational current	Rated control circuit voltage	Auxiliary contacts fitted	Type (1)	Order code	Weight
AC-1	General use rating 600 V AC	$\theta \leq 40^\circ\text{C}$	Uc min. ... Uc max.				Pkg (1 pce) kg
A	A		V 50/60 Hz V DC				

4 N.O. main poles

For connection with built-in cable clamps

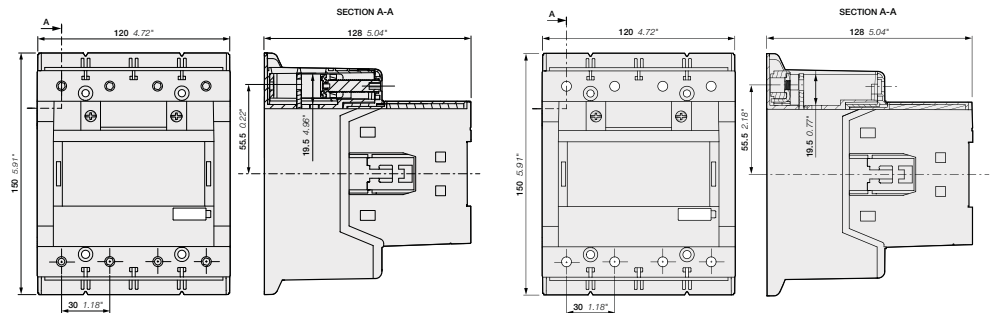
Rated current	UL / CSA	Uc min.	Uc max.	0	0	Type	Order code	Weight
160	160	24...60	20...60	0	0	AF116-40-00-11	1SFL427101R1100	2.250
		48...130	48...130	0	0	AF116-40-00-12	1SFL427101R1200	2.250
		100...250	100...250	0	0	AF116-40-00-13	1SFL427101R1300	2.250
		250...500	250...500	0	0	AF116-40-00-14	1SFL427101R1400	2.250
200	175	24...60	20...60	0	0	AF140-40-00-11	1SFL447101R1100	2.250
		48...130	48...130	0	0	AF140-40-00-12	1SFL447101R1200	2.250
		100...250	100...250	0	0	AF140-40-00-13	1SFL447101R1300	2.250
		250...500	250...500	0	0	AF140-40-00-14	1SFL447101R1400	2.250

With bar connections

Rated current	UL / CSA	Uc min.	Uc max.	0	0	Type	Order code	Weight
160	160	24...60	20...60	0	0	AF116-40-00B-11	1SFL427102R1100	2.150
		48...130	48...130	0	0	AF116-40-00B-12	1SFL427102R1200	2.150
		100...250	100...250	0	0	AF116-40-00B-13	1SFL427102R1300	2.150
		250...500	250...500	0	0	AF116-40-00B-14	1SFL427102R1400	2.150
200	175	24...60	20...60	0	0	AF140-40-00B-11	1SFL447102R1100	2.150
		48...130	48...130	0	0	AF140-40-00B-12	1SFL447102R1200	2.150
		100...250	100...250	0	0	AF140-40-00B-13	1SFL447102R1300	2.150
		250...500	250...500	0	0	AF140-40-00B-14	1SFL447102R1400	2.150

(1) For other auxiliary contacts arrangements, please contact your ABB local organization.

Main dimensions mm, inches



AF116, AF140-40-00

AF116, AF140-40-00B

1SFC101197C0201 - Rev. A